

1 Standard TurboSiphon installation under an 80x80 shower tray:

Necessary material:

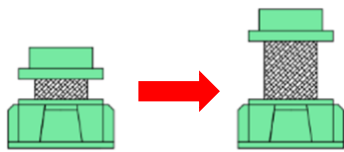
- Monkey wrench
- PVC Glue
- Pencil



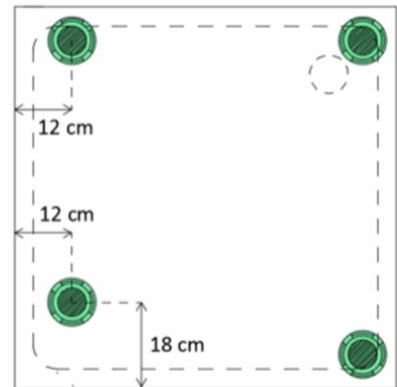
- 17mm Spanner
- PVC Handsaw
- Level
- Resources



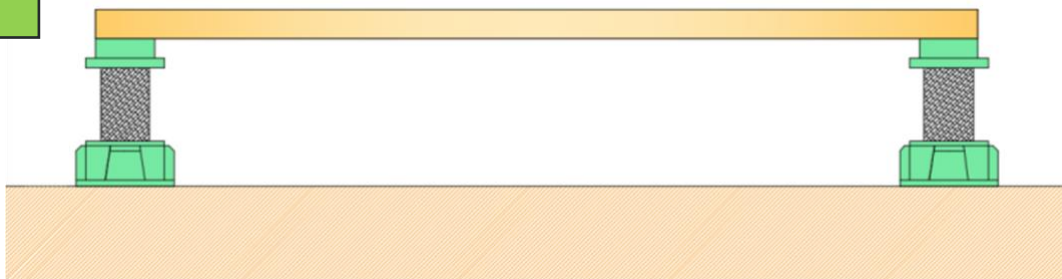
2



- Adjust the four feet of the shower tray to their maximum height.
- Position the four feet in the following configuration:

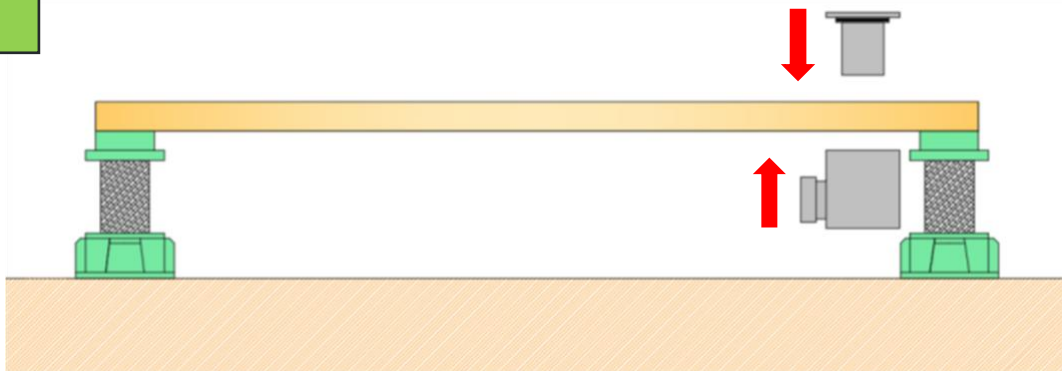


3



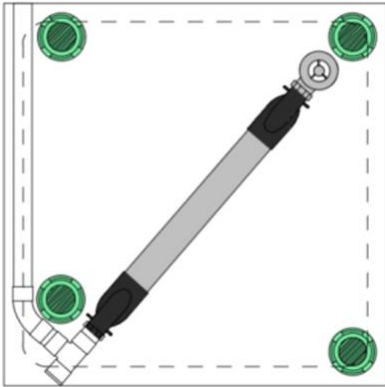
- Place the shower tray on its feet.

4



- Position the shower drain.

5



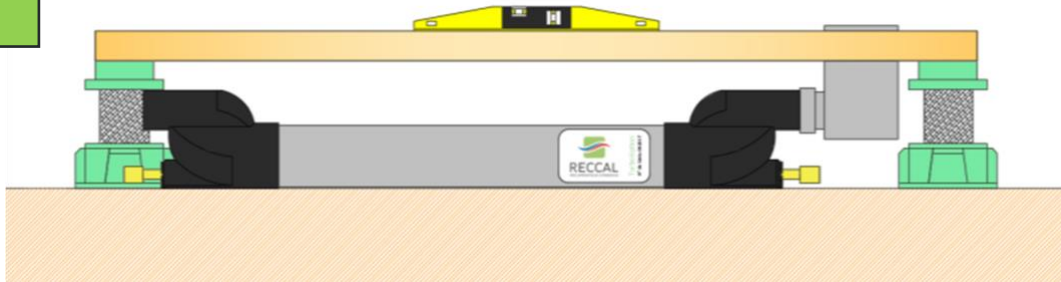
- Position "TurboSiphon" under the shower tray in the diagonal to obtain this configuration.
- Depending on the constraints of your bathroom you will be able to position and make rotate as you want your shower tray to get this configuration.

6



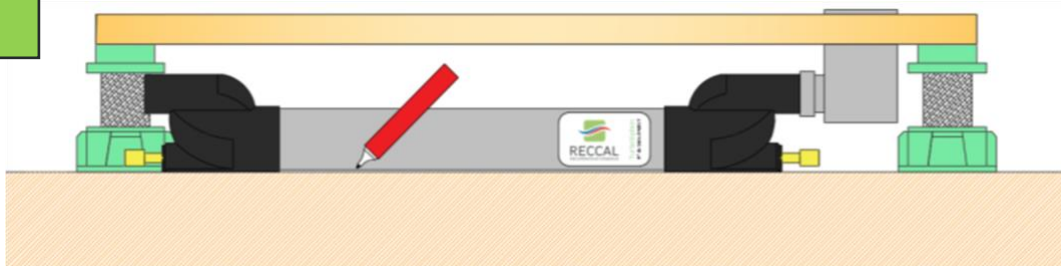
- Place "TurboSiphon" under the shower tray and adjust the height of the feet so that "TurboSiphon" can be connected to the drain.

7



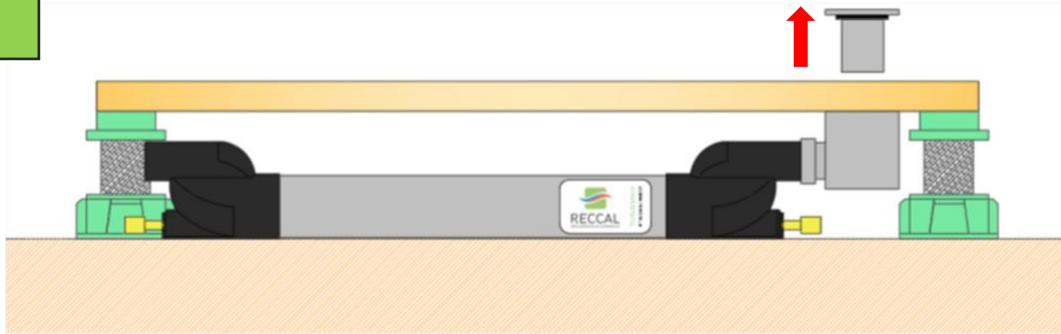
- Check the level of the shower tray.

8



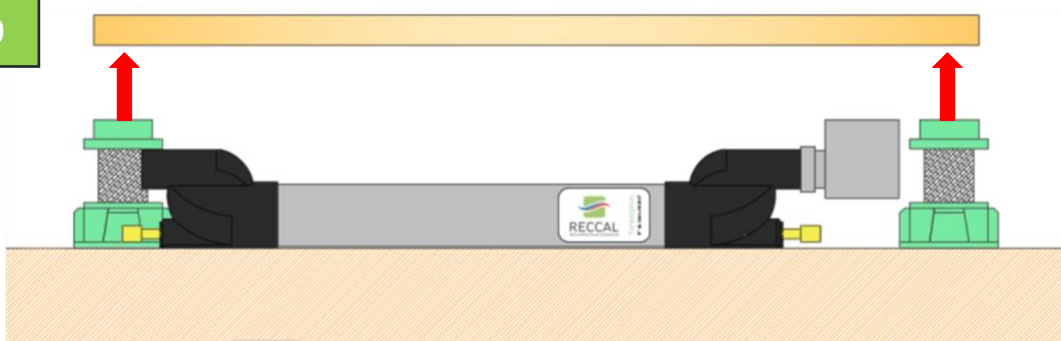
- Draw the position of "TurboSiphon" on the ground.

9



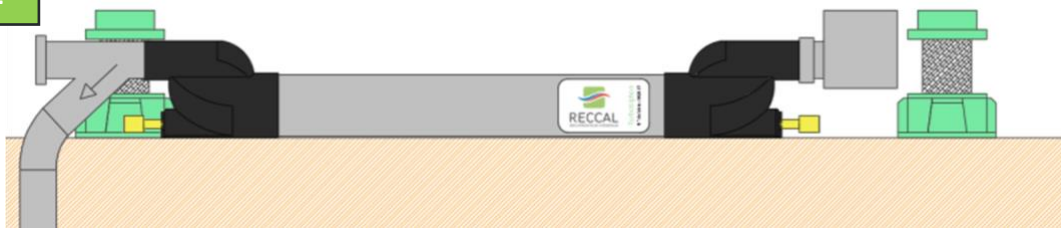
- Unscrew the drain from the top of the tank.

10



- Remove the shower tray from its feet leaving the drain connected to "TurboSiphon".

11



- Check that "TurboSiphon" is in its position previously drawn on the ground. Make the dry connection of the waste water line.

RECCAL advocates:

- the installation of a tee with a cap to allow the maintenance of "TurboSiphon". The capped end of the tee must be accessible and allow the insertion of a cleaning accessory.
- the installation of a dilatation sleeve on the pipe for disassembly if necessary of "TurboSiphon".
- Use suitable products for cleaning pipes, **never use acids in your pipes.**

12



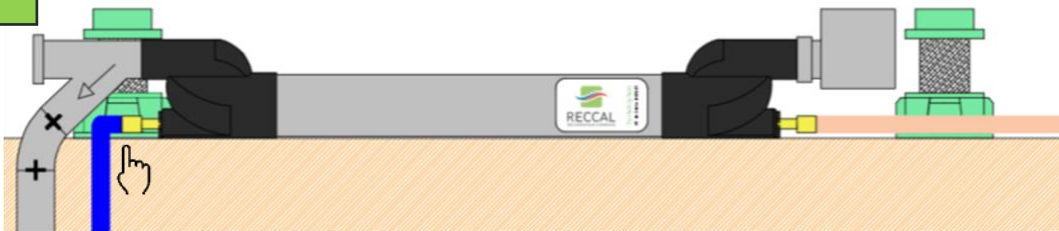
- Identify the positioning of the various sub-elements of the wastewater pipeline.

13



- Connect the preheated water outlet of "TurboSiphon" by holding the fitting when tightening with the 17 mm wrench.

14

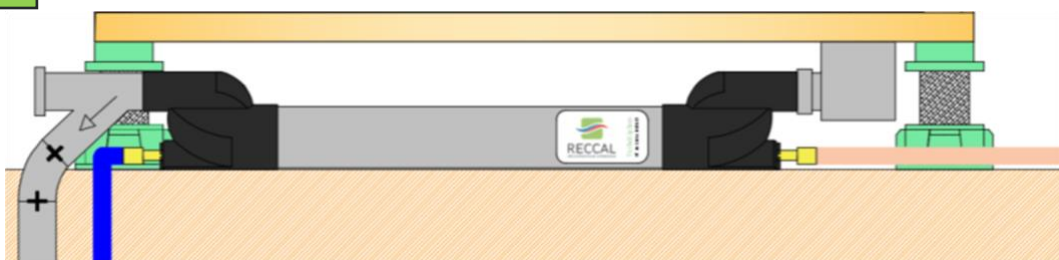


- Connect the cold water supply to the inlet of "TurboSiphon" and check the tightness of the connections.

15

- Bond the waste water pipe by first checking the position of "TurboSiphon".
- After observing the drying time of the glue, pour water into the drain and check the general watertightness of the system.

16



- The installation of TurboSiphon is complete, the shower tray can be installed.